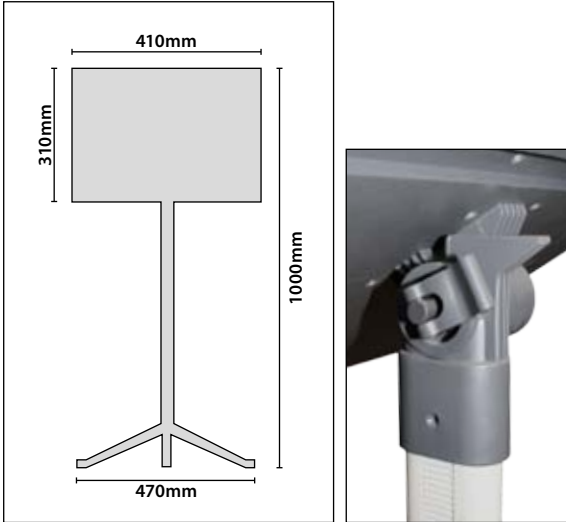


Miravalles



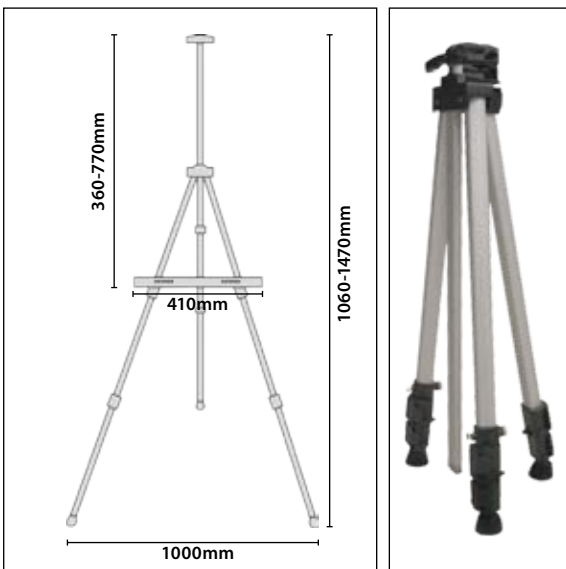
Extendible lectern for catalogues. Adjustable in height from 600mm to 900mm. Adjustable in angle from 0° to 90°. Height: 875mm.

Material: Aluminium, plastic.

10.052



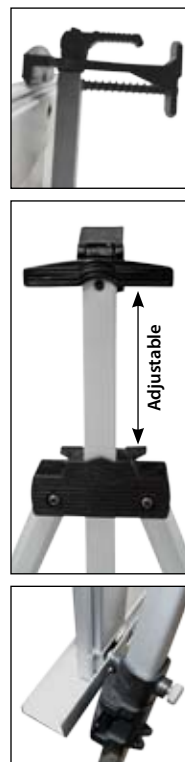
Solana



Adjustable tripod support frame. Metal adjustable tripod easel. Bottom tray for boards, panels, frames.

Material: Aluminium, plastic.

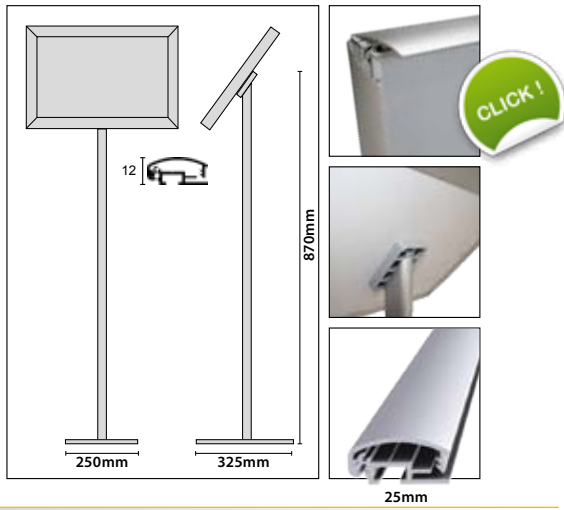
10.816



MENU BOARD

3

Zafra



Menu board. Available in A3 and A4 sizes both in landscape and portrait positions. Plastic base.

Material: Aluminium, plastic parts.

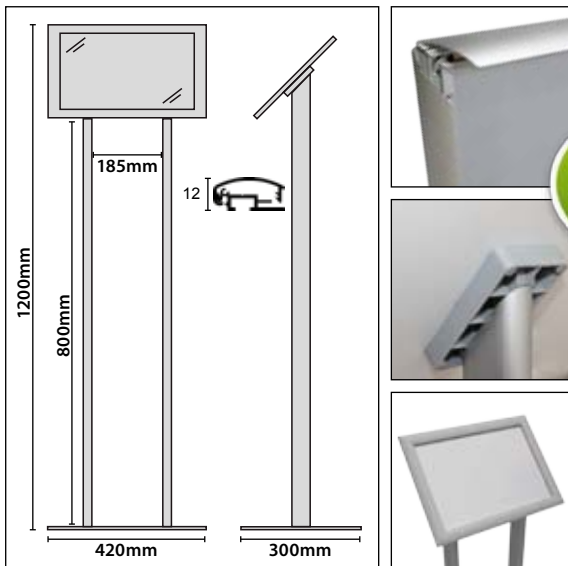
	QTY	N.W(kg)	G.W(kg)	C.B.M.	Size(mm)	
Packing	1	0.75	0.85	0.0047	930x85x60	x2
		1.65	1.76	0.0034	355X275X35	

10.158 A4

10.159 A3



Ulster



Menu board. Available in A3 size in landscape position. Plastic base.

Material: Aluminium, plastic parts.

	QTY	N.W(kg)	G.W(kg)	C.B.M.	Size(mm)	
Packing	2	5	5.3	0.006	480x365x35	x2
		2.15	2.5	0.010	1170x145x60	

10.982 A3



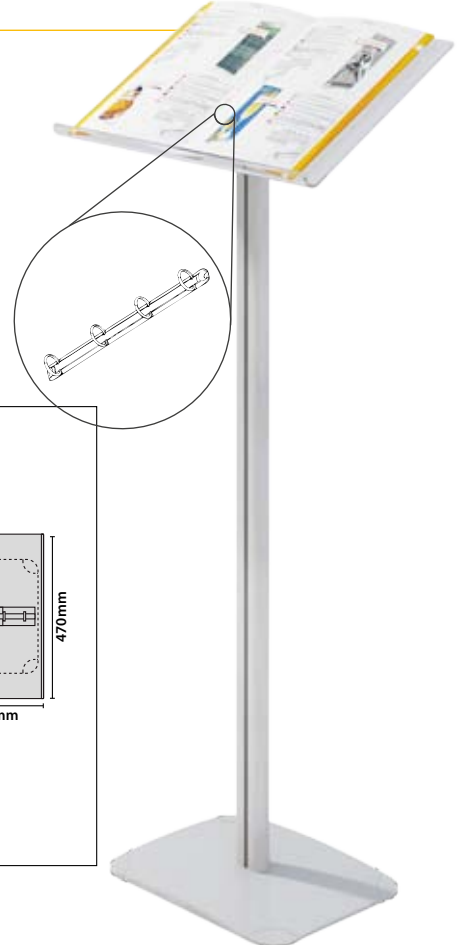
Sligo



10.983



10.984



Folder Menuboard with its transparent acrylic or metallic self. With a ring binder available to hold 2x A4 individual menu pages. With the usage of the channeled alips profile any acrylic or steel shelf, even a frame can let the product have advantages.

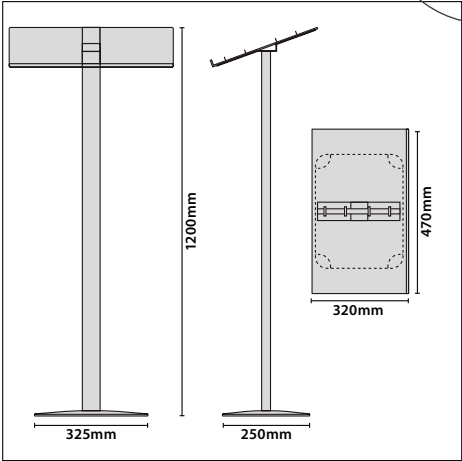
Material: Aluminium, plastic parts.  **x2**

	QTY	N.W(kg)	G.W(kg)	C.B.M.	Size(mm)
Packing	1	4.3	4.7	0.010	500x330x65
		1.15	1.3	0.002	1070x65x40

10.984 **Metalic**

Packing	1	2.75	3	0.010	500x330x65
		1.15	1.3	0.002	1070x65x40

10.983 **Acrylic**



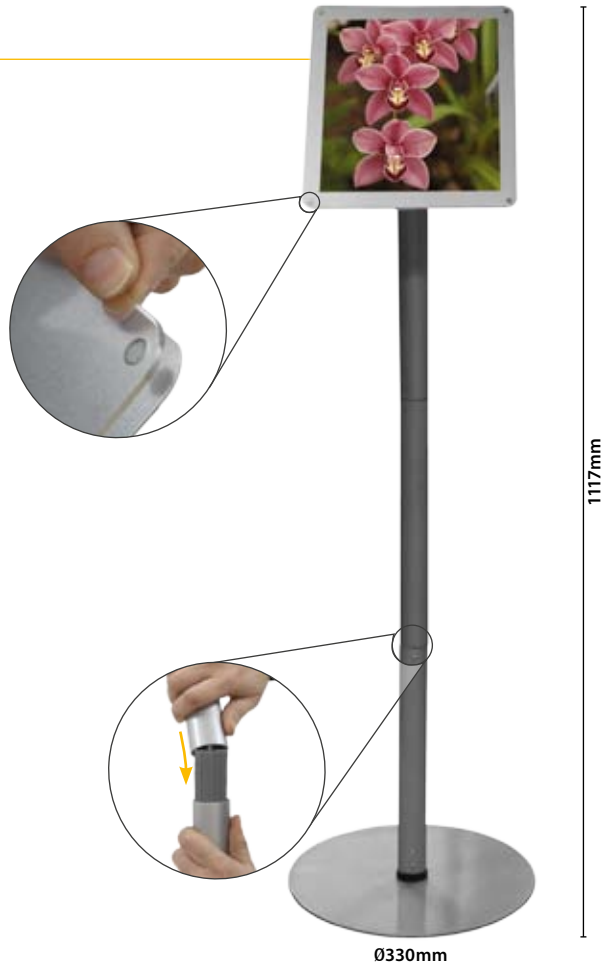
Tomar



Allows signage to be displayed either portrait or landscape. Holds signage up to 8 1/2" W x 11" H (216 x 279mm). Rear pocket holds additional literature. Clear magnetic sign panel makes signage changes easy. No tools required for assembly. Weighted steel base.

Material: Aluminium, steel, plastic parts.

13.102 **216x279mm**



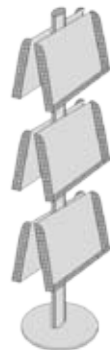
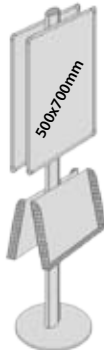
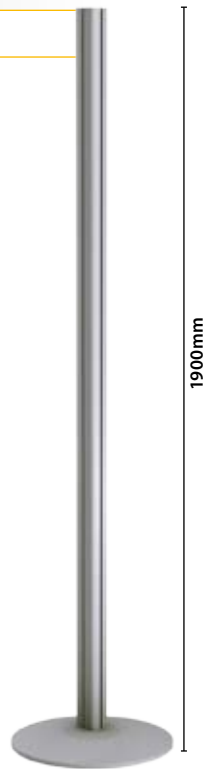
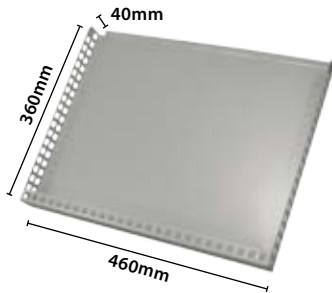
MENU BOARD

3

Combi

Diferent possibility for aluminium stand. Easy to assembly.

Material: Aluminium, steel, plastic parts.



10.479 Combi One - 1

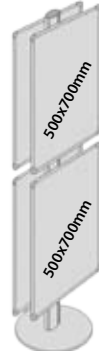
10.480 Combi One - 2

10.485 Combi Two - 1

10.486 Combi Two - 2

10.483 Combi Three - 1

10.484 Combi Three - 2



10.481 Combi Four - 1

10.482 Combi Four - 2

10.487 Combi Mix - 1

10.488 Combi Mix - 2

10.489 Combi Frame - 1

10.490 Combi Frame - 2

Melgar

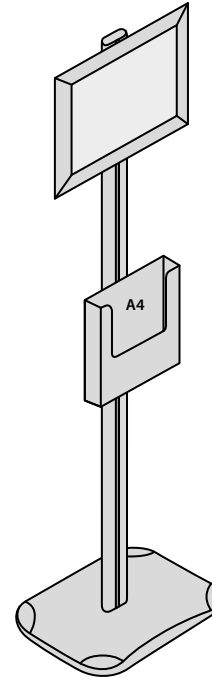
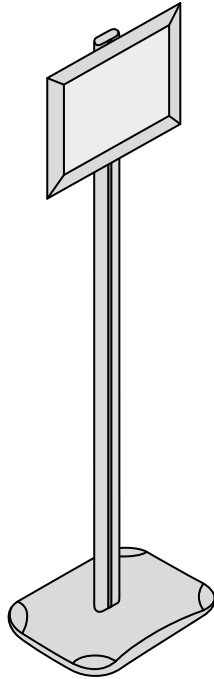
Showcard stand, can exhibit one or two graphics vertical or horizontal.

Material: Aluminium, plastic parts.

12



25mm

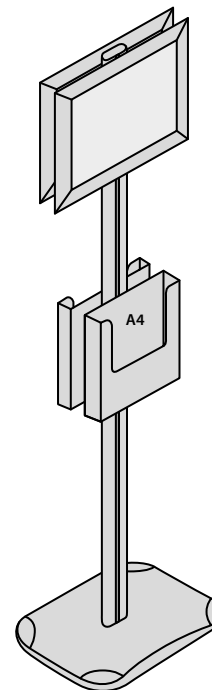
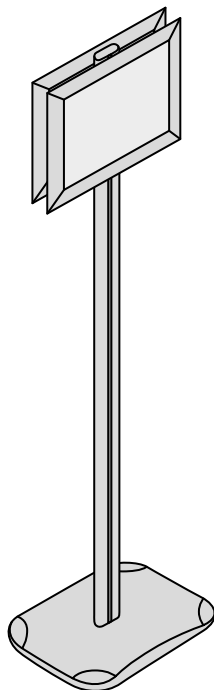


10.344 A4

10.349 A4 x1 - A4

10.579 A3

10.583 A3 x1 - A4



10.345 A4

10.549 A4 x2 - A4

10.580 A3

10.584 A3 x2 - A4